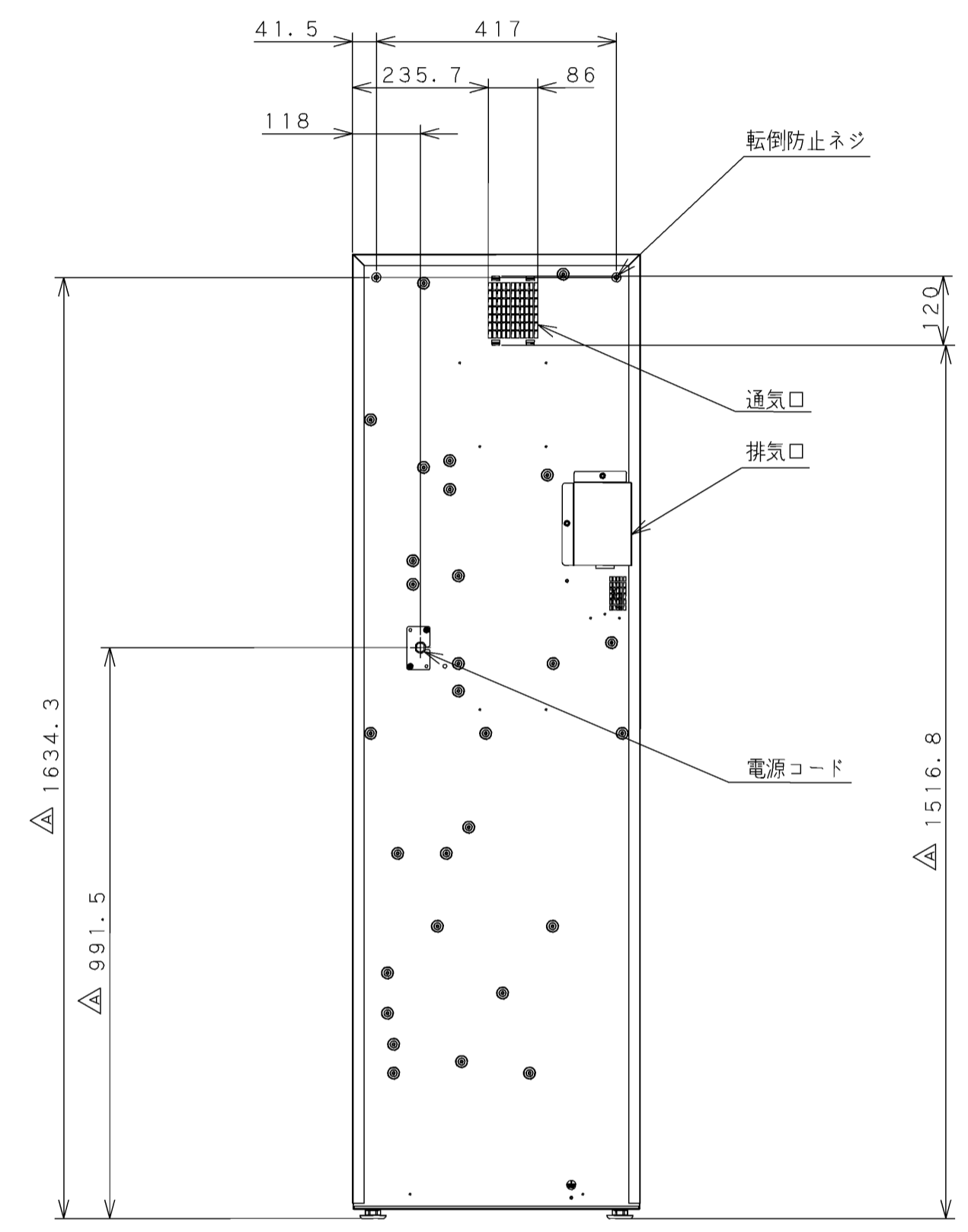
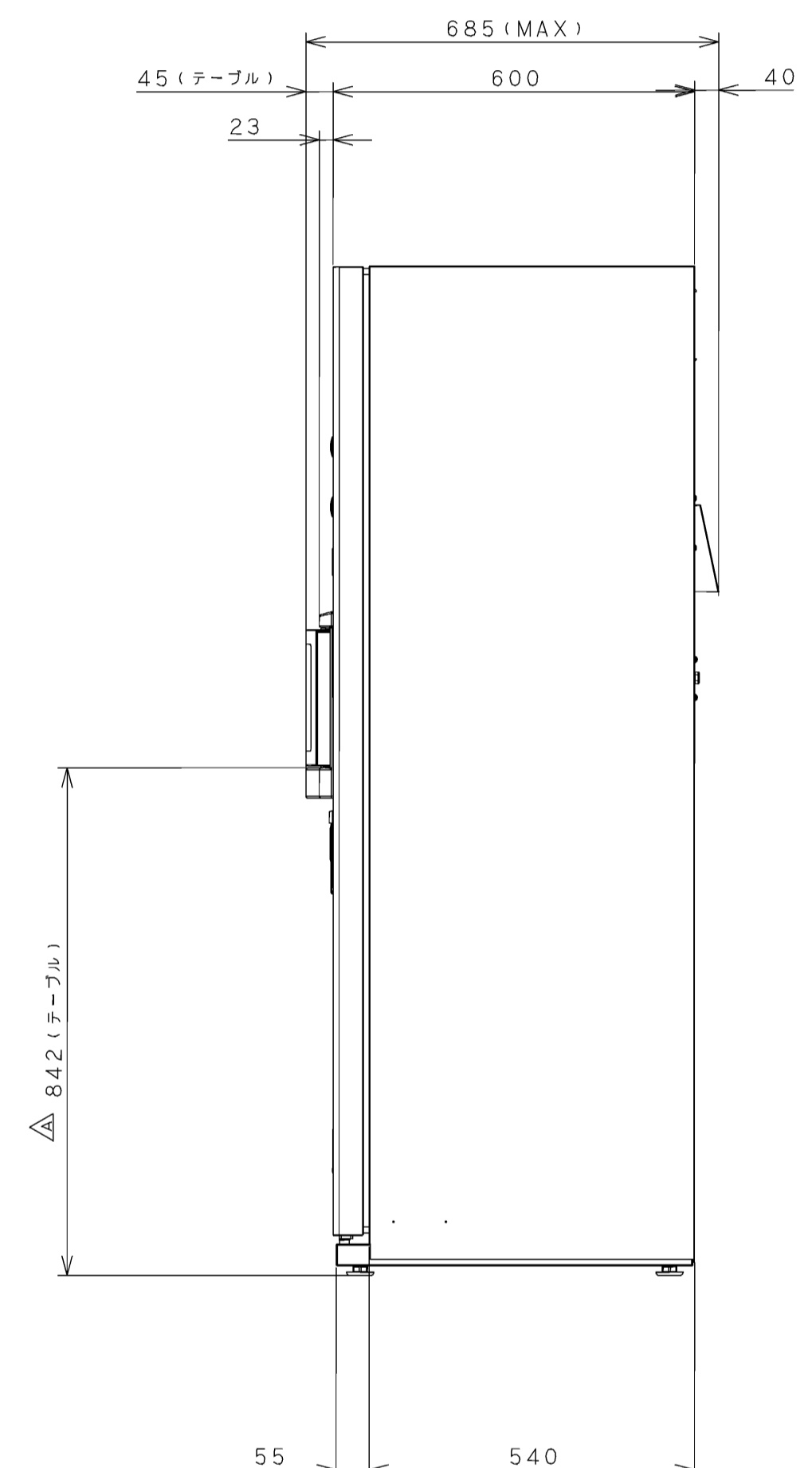
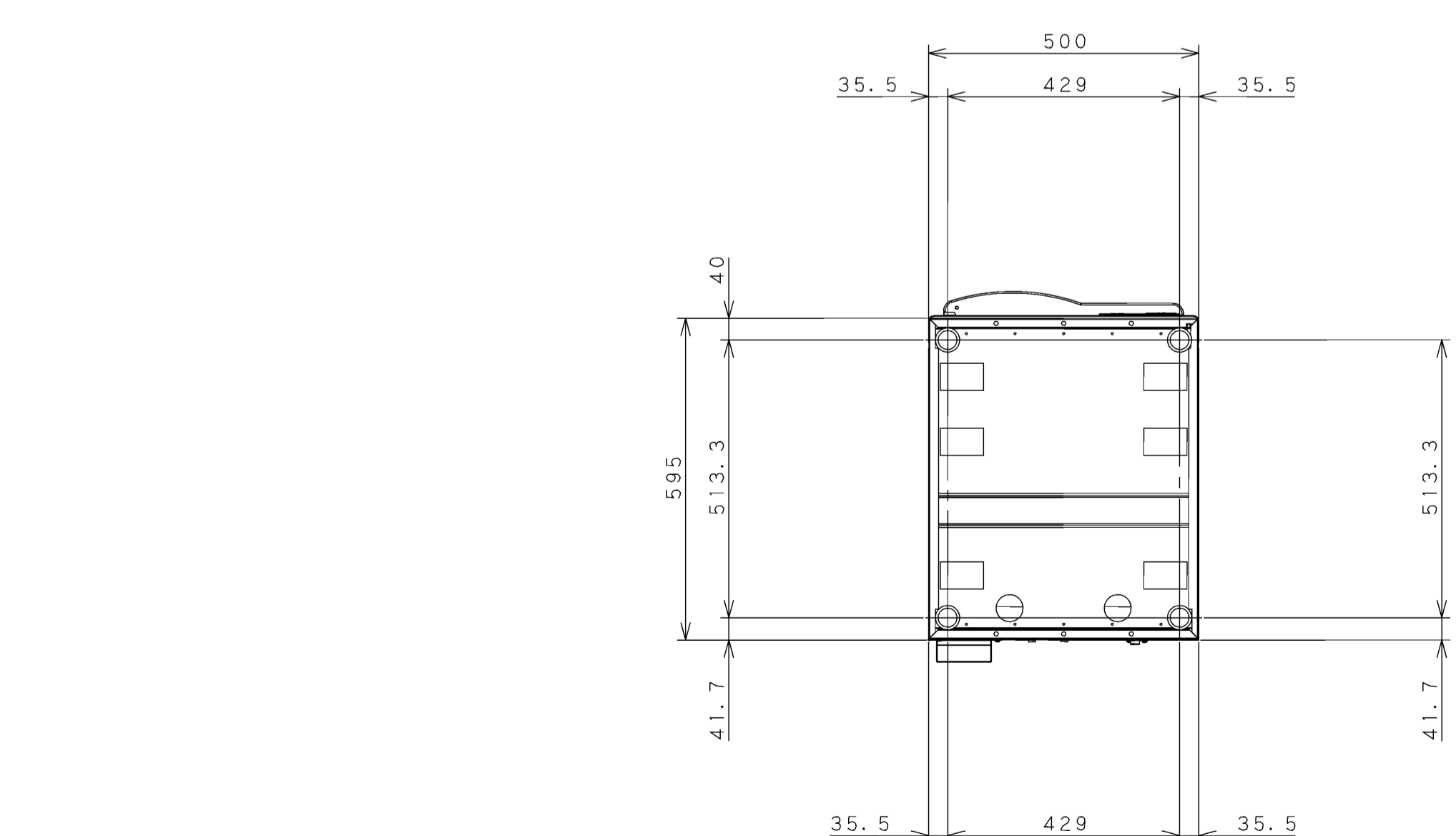
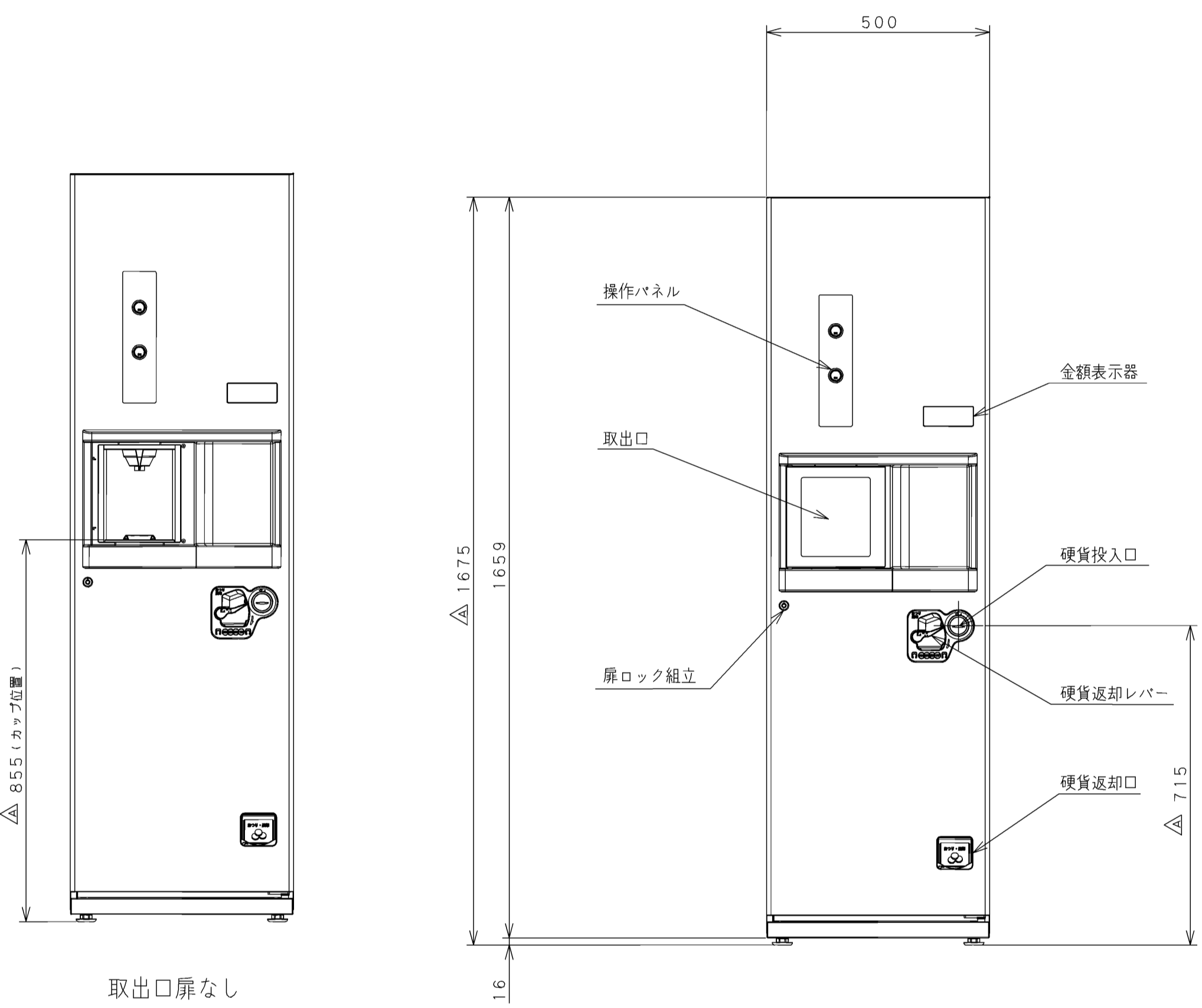
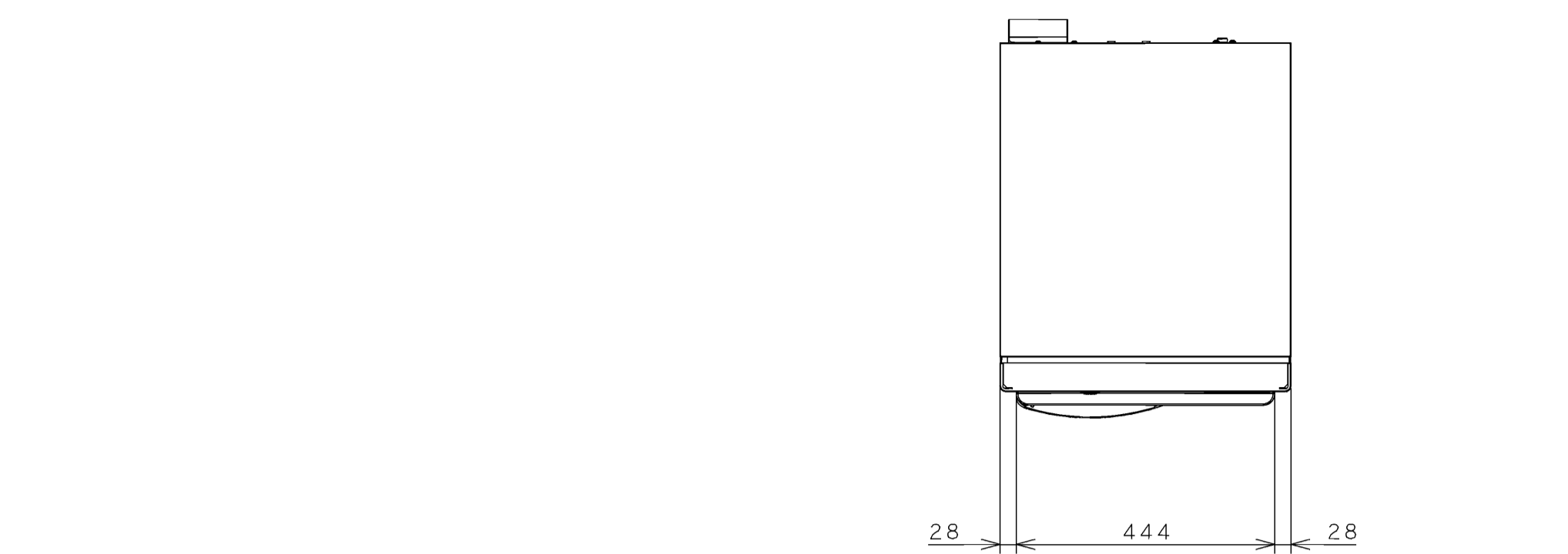


TOLERANCE(+)	ANG											SURFACE TREATMENT	
	J	K	L	M	N	T	J	K	L	M	N		T
6LESS	0.05	0.1	0.3	0.5	0.7	0.2	1'	1'	1'	1'	1'	1'	This material and information herein is the property of Fuji Electric Co., Ltd. They shall be neither reproduced, copied or disclosed in any way whatsoever for the use of any third party nor used for the manufacturing purposes without the express written consent of Fuji Electric Co., Ltd.
6MAXE	30	0.07	0.2	0.5	0.7	0.2	1'	1'	1'	1'	1'	CODE NAME	
30	120	0.1	0.3	0.7	1.0	2.0	0.3	20'	2'	1'	1'		
120	400	0.2	0.5	1.0	1.3	3.0	0.5	10'	1'	1'	1'		
400	1000	0.3	0.8	1.5	2.2	5.0	0.8	5'	30'	1'	1'		
1000	2000	0.5	1.2	2.2	2.8	10.0	1.2	5'	30'	1'	1'		

PCS	DESCRIPTION	PART	DRAWING No. OR STANDARD	MATERIAL	DIMENSION OR PATTERN No.	MASS OR OTHERS
1		1				



取出口扉なし

REVISIONS	A) 寸法訂正		DRAWN	DATE	APPROVED	SCALE	カ、イケイス	DWG CODE	KA002	特定化学物質管理部品 DyD1232c18
	DATE	NAME	APPROVED	CODE	DATE	NAME				
15-07-30	AKIDA	KHAMAMOTO	JA	27	15-07-13	HAMAMOTO				
Fuji Electric Co., Ltd.							YDC63Z2C123 C01	外形図 OUTLINE VIEW		YDC63Z2C178
							国内向けコーヒ-自販機	MODEL APPLIED		